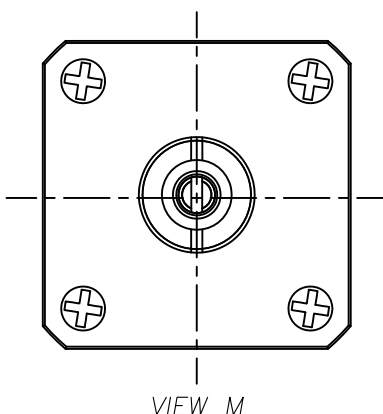
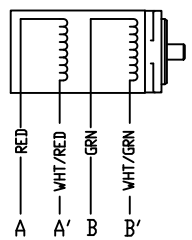


**LABEL INFORMATION**  
 APES17M-44-006ZC  
 2.62V 2.0A  
 ElectroCraft  
 XXXX XXXXXX RoHS  
 DATE CODE SERIAL NUMBER



BIPOLAR SPECIFICATIONS	
RATED VOLTAGE (Vm) DC	2.62
AMPS/PHASE	2.0
RESISTANCE/PHASE Rm (OHMS)	1.31
INDUCTANCE/PHASE (MH @ 1000Hz)	2.50
STEP ANGLE (DEGREES)	1.8
STEP ACCURACY (NON-ACCUM)%	±5
HOLDING TORQUE (N-cm) MIN	44.0
ROTOR INERTIA (g-cm <sup>2</sup> )	60.6
WEIGHT APPROX. (kg)	TBD

NOTES:  
 1. LINEAR TRAVEL PER STEP: 0.03175 mm.



FULL 4 STEP SEQUENCE  
2 PHASE ON

STEP	A	A'	B	B'
1	ON	OFF	ON	OFF
2	ON	OFF	OFF	ON
3	OFF	ON	OFF	ON
4	OFF	ON	ON	OFF

CW ROTN (LEAD END)

STEP	A	A'	B	B'
1	ON	OFF	ON	OFF

P01	-	FIRST ISSUE			Sam Yu	04/26/2016	
REV	ECN NO.	DESCRIPTION			BY	DATE	
SCALE	SHEET 1 OF 1	DWN BY Sam Yu	DATE 04/26/2016	ROHS YES	CONFIDENTIAL INFORMATION OF ELECTROCRAFT		
CUSTOMER		CHK BY	DATE	QTY 1	深圳市汇升睿控 科技有限公司		
CUSTOMER P/N		APRV BY	DATE	A4	TITLE LEADSCREW MOTOR		
		OUTLINE/ASSY NO.	FINISH BLACK LAM	DWG NO. APES17M-44-006ZC			
						ECNH P/N:	

UNLESS OTHERWISE SPECIFIED

1. ISO 2768-1 CLASS m

<=6 ±.1 >6-30 ±.2 >30-120 ±.3 >120-400 ±.5

ALL ANGLES ±.5° BREAK ALL EDGES 0.5

FILLET & RADII = 0.2

2. DIMENSION UNIT: mm

3. CPK:

SYMBOL	CPK
⊙	>2.0
⊙	>1.67
⊙	>1.33
⊙	NO SPEC.